



Rotary Position Control Sensors

RPC Series

Features

- Bush Mounting
- Glass filled nylon body
- Stainless steel shaft
- Conductive Polymer Track
- Continuous Rotation Available
- RoHS Compliant
- O-ring & epoxy seals

Benefits

- Highly reliable
- Robust
- Simple to use
- Long life
- Easy to install
- Proven technology
- Easily customized



Electrical Data

Standard Resistance Range	1,000 Ohms to 10,000 Ohms
Selection Tolerance	+/- 20%
Angle of Effective Rotation	330° +/- 3°
Total Mechanical Rotation	340° +/- 3°
Power Rating	1.0W @ 70°C derate for restricted angle
Wiper Current	30mA max. (limited by dissipation)
Temperature Characteristics	1% max (+20°C to +70°C) 0 to 200ppm/°C max
Linearity	+/- 1.0% typical (+/- 2% max)
Starting Torque	20mNm maximum
End Stop Torque	800 mNm maximum
Rational Life	300,000 shaft revolutions

General Note

SST Sensing Ltd reserves the right to make changes in product specifications without notice or liability. All information is subject to SST's own data and is considered accurate at time of going to print.



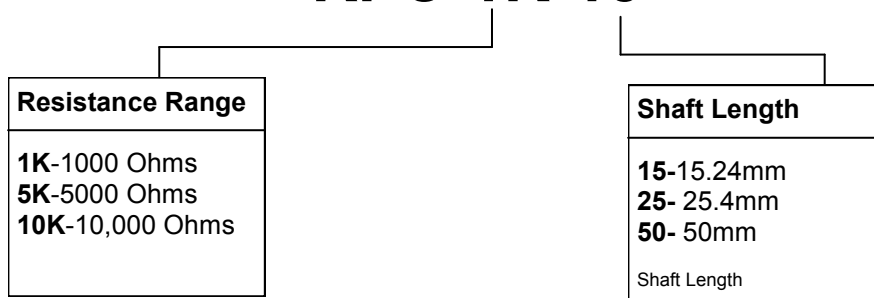
Applications

- Transport
- Marine
- Agriculture
- Machinery
- Machine Tools
- Automotive
- Welding
- Telehandling
- Electrical chairs

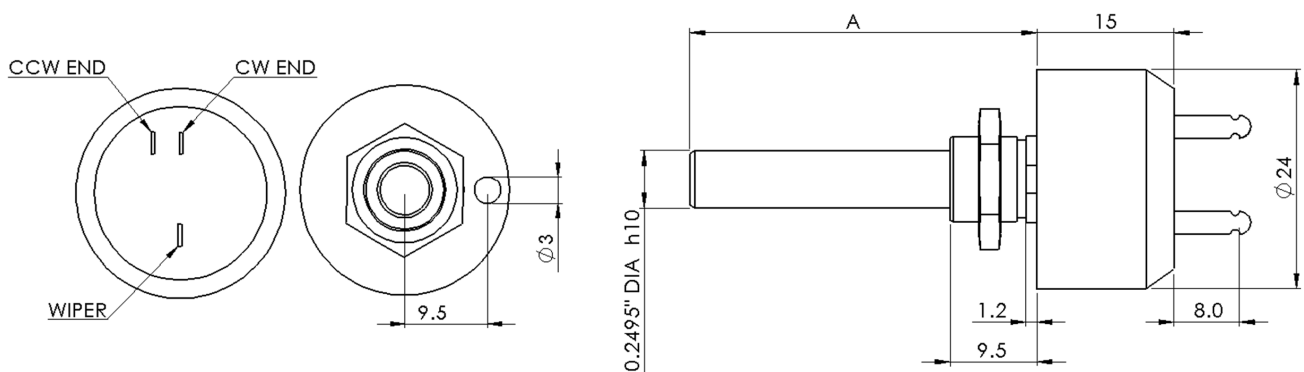
Ordering Guide

E.G.

RPC-1K-15



Schematic



GENERAL NOTE

SST Sensing Ltd reserves the right to make changes in product specification without notice or liability. All information is subject to SST's own data and is considered accurate at time of going to print.

WARNING

It is the customer's responsibility to ensure that this product is suitable for use in their application. For technical assistance or advice, please email us: info@sstsensing.com

General Note

SST Sensing Ltd reserves the right to make changes in product specifications without notice or liability. All information is subject to SST's own data and is considered accurate at time of going to print.