



Our full range of seals and trims for caravans and motorhomes including:

- Double glazed opening window seals - 3 step guide
- Fixed window rubbers
- Screw cover strips
- Door seals and trims
- Miscellaneous seals
- Edge trims and seals

If you are unable to find what you are looking for, we are able to source many non-standard profiles and manufacture others which are no longer available. Using our 2D and 3D CAD systems and expert knowledge we are able to design and produce gaskets to your requirements.

Double Glazed Opening Window Seals - 3 Step Guide

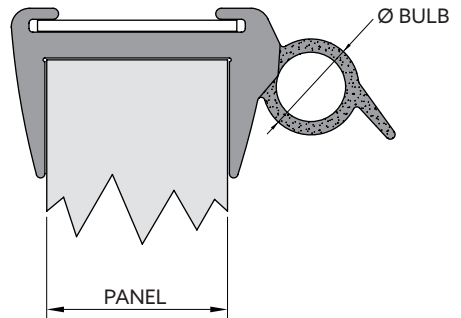
Our double glazed opening caravan and motorhome window rubbers are specially designed for caravans and motorhomes with opening windows. They are available in a range of sizes and fit the majority of caravan and motorhome makes and models.

Use our **3 Step Guide** to get everything you'll need to fit your rubber correctly to prevent leaks and ensure your caravan or motorhome stays in a good state of repair:

- Step 1 - Select your size
- Step 2 - Choose your cover strip
- Step 3 - Add on fitting accessories

Step 1 - Select Your Size

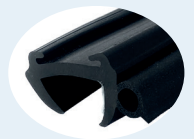
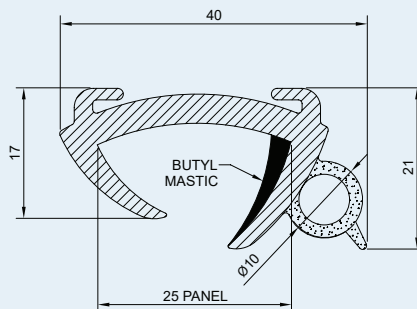
Selecting the correct size of window rubber is vital to prevent water ingress and damp in your caravan or motorhome; it is also important for weatherproofing in the winter for maximum efficiency of your heating systems. The panel thickness and bulb diameter are the critical dimensions to check when choosing opening window rubbers.



CS 1679

TO FIT PANEL:
25mm

BULB SIZE:
Ø10mm



**SOLD
BY THE
METRE**

**20
METRE
COIL**

COVER STRIP SOLD SEPARATELY. SEE STEP 2

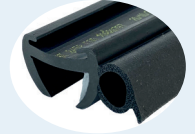
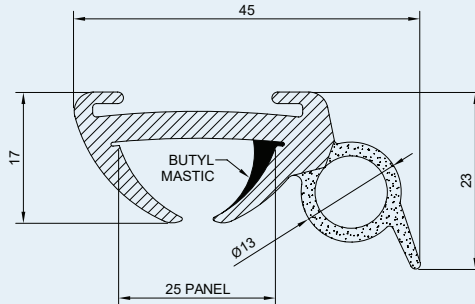
Double Glazed Opening Window Seals - 3 Step Guide

Step 1 - Select Your Size

CS 784

TO FIT PANEL:
25mm

BULB SIZE:
Ø13mm



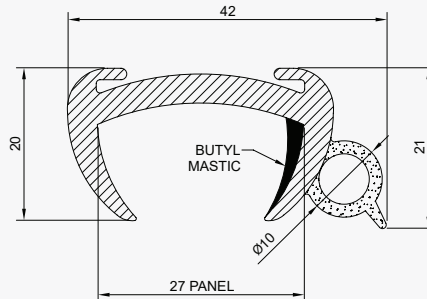
SOLD BY THE METRE

20 METRE COIL

CS 1680

TO FIT PANEL:
27mm

BULB SIZE:
Ø10mm



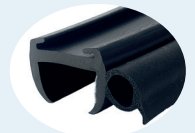
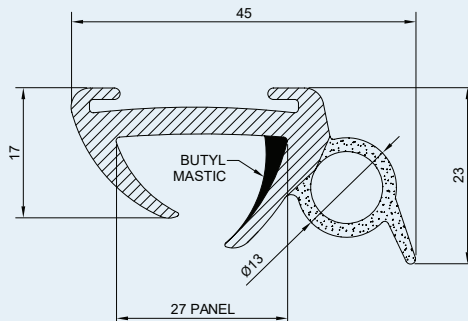
SOLD BY THE METRE

20 METRE COIL

CS 785

TO FIT PANEL:
27mm

BULB SIZE:
Ø13mm



SOLD BY THE METRE

20 METRE COIL

COVER STRIP SOLD SEPARATELY. SEE STEP 2

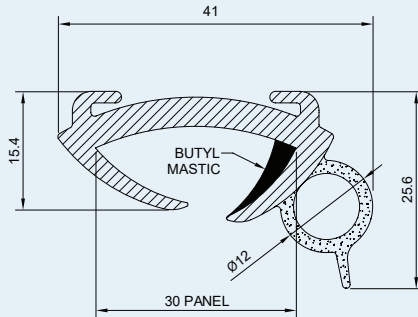
Double Glazed Opening Window Seals - 3 Step Guide

Step 1 - Select Your Size

CS 1681

TO FIT PANEL:
30mm

BULB SIZE:
Ø12mm



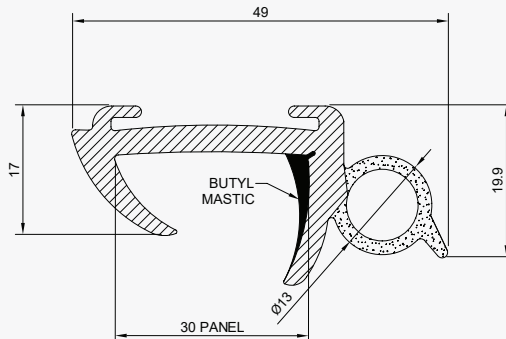
SOLD BY THE METRE

20 METRE COIL

CS 786

TO FIT PANEL:
30mm

BULB SIZE:
Ø13mm



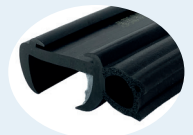
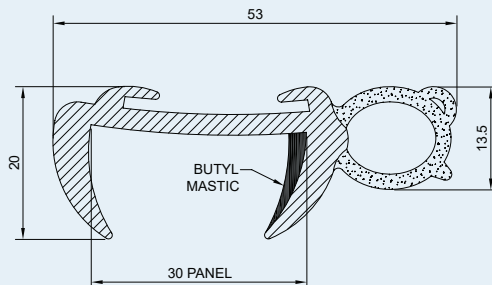
SOLD BY THE METRE

20 METRE COIL

CS 4090

TO FIT PANEL:
30mm

BULB SIZE:
Ø13.5mm



SOLD BY THE METRE

20 METRE COIL

COVER STRIP SOLD SEPARATELY. SEE STEP 2

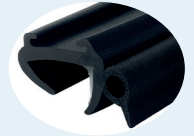
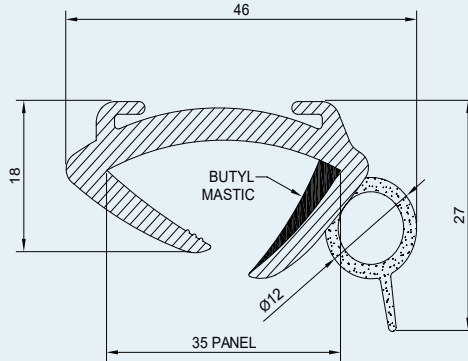
Double Glazed Opening Window Seals - 3 Step Guide

Step 1 - Select Your Size

CS 3002

TO FIT PANEL:
35mm

BULB SIZE:
Ø12mm



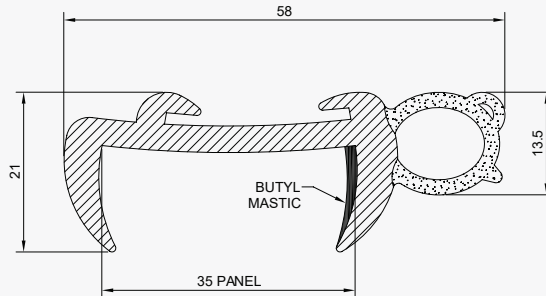
SOLD BY THE METRE

20 METRE COIL

CS 4091

TO FIT PANEL:
35mm

BULB SIZE:
Ø13.5mm



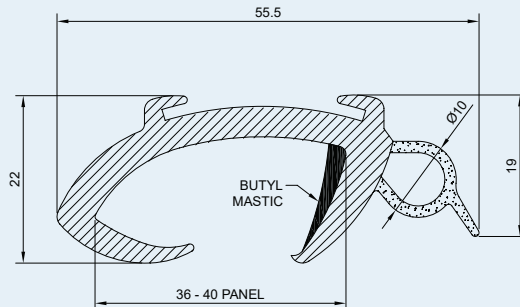
SOLD BY THE METRE

20 METRE COIL

CS 4556

TO FIT PANEL:
36mm - 40mm

BULB SIZE:
Ø10mm



SOLD BY THE METRE

40 METRE COIL

COVER STRIP SOLD SEPARATELY. SEE STEP 2

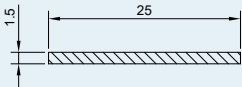

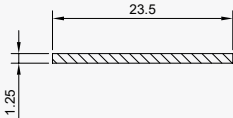

Double Glazed Opening Window Seals - 3 Step Guide

Step 2 - Choose Your Cover Strip

The cover strip is essential for finishing your window rubber. Not only does it provide a smart look, it also covers the staples used to secure your rubber to the wooden frame. We offer this in three colours; grey, white and black.

You will require the 25mm width cover strips to fit our standard caravan and motorhome window rubbers. We also supply light grey and white cover strips in 23.5mm wide to fit older style window rubbers where your seals have not perished but require new cover strips

OUR STANDARD DOUBLE GLAZED OPENING WINDOW SEALS FOR CARAVANS AND MOTORHOMES REQUIRE A 25MM WIDE COVER STRIP

ORDER CODE	DRAWING	WIDTH	COIL LENGTH
<p>GREY CS 1682</p> <p>WHITE CS 868</p> <p>BLACK CS 5124</p>		25mm	<p>20 METRE COIL</p> 
<p>LIGHT GREY CS 1683</p> <p>WHITE CS 1153</p>		23.5mm	<p>20 METRE COIL</p> 

Double Glazed Opening Window Seals - 3 Step Guide

Step 3 - Add on Fitting Accessories

Using the appropriate accessories to fit your opening window rubber will not only make it an easier job, but also ensures it is fitted correctly and prevents possible damage to the seal and your caravan or motorhome. We are able to supply all the essential equipment required for fitting your window rubber.

CST 5015



STANDARD CARAVAN & MOTORHOME DOUBLE GLAZED
OPENING WINDOW COVER STRIP FITTING TOOL

CST 4335



PROFESSIONAL CARAVAN & MOTORHOME DOUBLE GLAZED
OPENING WINDOW COVER STRIP FITTING TOOL

SS 4363



SILICONE LUBRICATING SPRAY (500ML)
FOR USE WITH COVER STRIP FITTING TOOLS

S 5199 (WHITE) S 5200 (BLACK)



SOUDAL BUTYRUB BUTYL NON-SETTING BEDDING MASTIC
(310ML)

ST 5207



STAPLE GUN FOR FIXING CARAVAN & MOTORHOME
DOUBLE GLAZED OPENING WINDOW RUBBERS

ST 5208



12MM STAPLES TO FIT ST 5207

Double Glazed Opening Window Seals - Fitting

Once you have used the previous guide to select your opening window rubber and accessories you are ready to begin fitting it, use this guide to help you through each step.

Step 1 - Removing Old Seal

Open your caravan or motorhome window and carefully note how the small hinges for the window stays are fitted. Using a screwdriver, undo the fixings for the window stays on the caravan so that they hang loose. The window can either be removed or propped up out of the way. Noting the way the fittings go, remove them and keep them safe with their screws. Locate the end of the white, grey or black plastic cover strip and pull it out.



Next, remove all of the staples holding the rubber to the wall. Find the end of the rubber and carefully pull it away from the caravan or motorhome. Go around the window opening with a chisel or a flat bladed screwdriver and scrape away any sealant that was left from the window rubber. After removing as much as you can by hand use white spirit to remove the remainder. You will then need to use meths, acetone or IPA to clean off the oil film left by the white spirit.

Step 2 - Fitting the Opening Window Rubber



The new rubber comes complete with a layer of butyl mastic pre-applied to the inside of the outside leg. Carefully push the rubber onto the wall of your caravan or motorhome.

Cut the window rubber to the correct length ensuring that the ends are fitted tightly together.

Staple the seal in place to ensure that it is held firmly onto the wall of your caravan or motorhome. These staples will be hidden by the cover strip once fitted.

Double Glazed Opening Window Seals - Fitting

Step 3 - Inserting the Cover Strip



Next, fit the grey, white or black cover strip into the top of the window rubber. The easiest way to do this is with the use of a cover strip fitting tool and lubricating silicone spray (SS 4363). We offer two tool types:

- CST 5015: Perfect for occasional use
- CST 4335: A professional tool for regular use

To use the tool, lubricate the inside of the window rubber cover strip channel with the silicone spray. Insert the tool into the channel ensuring that the two legs at the back of the tool are securely inside the channel lips.

Insert the grey, white or black cover strip through the centre of the tool and push the end back into the rubber under the lips. Gently move the tool forward to lay the cover strip into the window rubber. Once you have fitted the cover strip around the entire window overlap the start of the strip by a small amount, cutting off the remainder.

Step 4 - Replace Fittings and Finishing



The final step is to refit all of the window fittings and stays, using your notes and paying attention to refit them as they were prior to removal.

Fixed Window Rubbers for Caravans & Motorhomes

These seals can be used to replace perished or failing seals on the fixed windows of your caravan or motorhome. Prior to fitting, you should apply a layer of non-setting butyl mastic on the inside of the external leg of your fixed window rubber to seal the rubber against the outside edge of your caravan or motorhome and prevent water ingress around it. Once you have installed the window into the rubber and onto your wall, use the appropriate filler strip for your rubber size to lock the rubber in place.

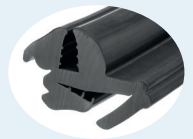
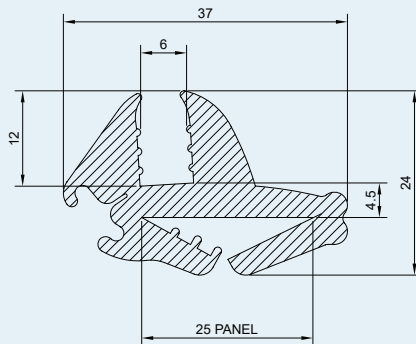
FIXED WINDOW RUBBERS REQUIRE A FILLER STRIP TO FIX THEM IN PLACE

NON-SETTING BUTYL MASTIC SHOULD BE USED ON THE EXTERNAL LEG TO PREVENT WATER INGRESS

CS 787

TO FIT PANEL:
25mm

FILLER STRIP:
FS 1266



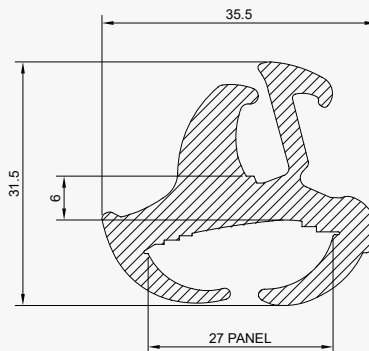
SOLD
BY THE
METRE

15
METRE
COIL

CS 788

TO FIT PANEL:
27mm

FILLER STRIP:
FS 1876



SOLD
BY THE
METRE

20
METRE
COIL

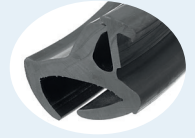
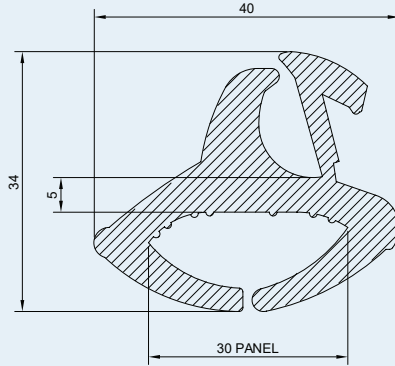
FILLER STRIP SOLD SEPARATELY

Fixed Window Rubbers for Caravans & Motorhomes

CS 789

TO FIT PANEL:
30mm

FILLER STRIP:
FS 1876



SOLD BY THE METRE

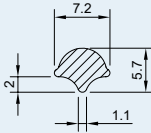
20 METRE COIL

FILLER STRIP SOLD SEPARATELY

Filler Strips and Fitting Accessories

FS 1266

30 METRE COIL



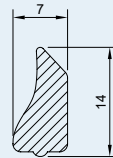
SOLD BY THE METRE



TO FIT CS 787 - REQUIRES GLAZING TOOL AND TIP SET

FS 1876

20 METRE COIL



SOLD BY THE METRE



TO FIT CS 788 & CS 789

GT 75
GT 3243



GLAZING TOOL & TIP SET

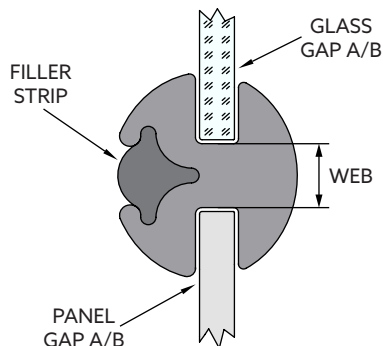
S 5199 (WHITE)
S 5200 (BLACK)



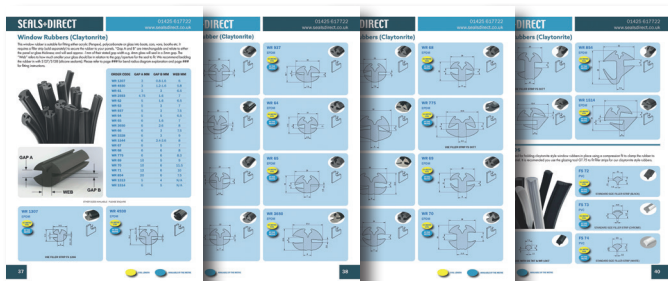
SODAL BUTYRUB BUTYL NON-SETTING BEDDING MASTIC (310ML)

Claytonrite Fixed Window Rubbers and Filler Strips

This fixed window rubber is often found on older style caravans and motorhomes. It requires a filler strip (sold separately) to secure the rubber to your panels. Filler strips should be fitted using a glazing tool (and tip set if necessary) to reduce the likelihood of damage to your seal or panels. "Gap A and B" are interchangeable and relate to either the panel or glass thickness. The "Web" refers to how much smaller your glass should be in relation to the gap/aperture for the seal to fit. We recommend bedding the rubber in with silicone sealant.



TO SEE DRAWINGS AND GET MORE INFORMATION ON OUR FULL RANGE OF CLAYTONRITE WINDOW RUBBERS PLEASE SEE OUR CATALOGUE OR WEBSITE



ORDER CODE	GAP A mm	GAP B mm	WEB mm
------------	----------	----------	--------

WR 1307	3	0.8-1.6	6
WR 4930	3	1.2-1.6	5.8
WR 61	3	3	6.5
WR 2593	4.75	1.6	7
WR 62	5	1.6	6.5
WR 63	5	3	7
WR 937	5	3	7.5
WR 64	5	5	6.5
WR 65	6	1.6	7
WR 3650	6	2.6	8
WR 66	6	3	7.5

ORDER CODE	GAP A mm	GAP B mm	WEB mm
------------	----------	----------	--------

WR 3328	6	3	9
WR 1544	6	2.4-3.6	8
WR 67	6	5	7
WR 68	6	6	8
WR 775	6	6	8.3
WR 69	10	5	9
WR 70	10	6	11.5
WR 71	12	6	10
WR 854	20	6	7.5
WR 1513	5	4	N/A
WR 1514	6	5	N/A

Claytonrite Fixed Window Rubbers and Filler Strips

FILLER STRIPS (REQUIRE GLAZING TOOL - GT75)

ORDER CODE	DRAWING	TO FIT	COIL LENGTH	
BLACK FS 1266		WR 1307 ALSO REQUIRES TIP SET GT 3243	30 METRE COIL	 SOLD BY THE METRE
BLACK FS 72		STANDARD SIZE FILLER STRIP	30 METRE COIL	 SOLD BY THE METRE
CHROME FS 73		STANDARD SIZE FILLER STRIP	30 METRE COIL	 SOLD BY THE METRE
WHITE FS 74		STANDARD SIZE FILLER STRIP	30 METRE COIL	 SOLD BY THE METRE
BLACK FS 3077		WR 71 & WR 775 ALSO REQUIRES TIP SET GT 3243	30 METRE COIL	 SOLD BY THE METRE

FITTING ACCESSORIES

GT 75



GLAZING TOOL

GT 3243



GLAZING TOOL TIP SET

Screw Cover Strip (Herzim)

Our Screw Cover Strips, also known as Herzim, are manufactured from a flexible PVC compound. They are used as a decorative trim to cover the screw heads and fixings in aluminium channels and waist rails. Over time your existing screw cover strips may have faded or shrunk, replacing these profiles will allow you to enhance the finish of your van. They are available in a range of sizes and colours to suit your existing profile/colour.

To identify the size you require, it is best to measure the inside of your aluminium channel, rather than to measure the strip you are replacing, due to potential shrinkage.

WE RECOMMEND SAFELY WARMING HERZIM STRIPS FOR EASIER INSTALLATION

ORDER CODE	DRAWING	WIDTH	COIL LENGTH	
BLACK SCS 5568		10mm	100 METRE COIL	 SOLD BY THE METRE
BLACK SCS 287 WHITE SCS 903		11.3mm	100 METRE COIL	 SOLD BY THE METRE
BLACK SCS 917 WHITE SCS 918 CREAM SCS 919		12.3mm	100 METRE COIL	 SOLD BY THE METRE

Screw Cover Strip (Herzim)

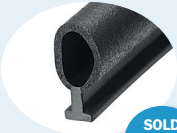
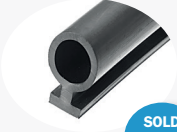

ORDER CODE	DRAWING	WIDTH	COIL LENGTH	
MAROON SCS 920		12.3mm	100 METRE COIL	 <p>SOLD BY THE METRE</p>
SILVER SCS 921				 <p>SOLD BY THE METRE</p>
GREY SCS 923				 <p>SOLD BY THE METRE</p>
NAVY SCS 1318				 <p>SOLD BY THE METRE</p>
GREEN SCS 3278				 <p>SOLD BY THE METRE</p>
BLACK SCS 288		13.5mm	100 METRE COIL	 <p>SOLD BY THE METRE</p>
BLACK SCS 289		14.9mm	100 METRE COIL	 <p>SOLD BY THE METRE</p>
CREAM SCS 1202				 <p>SOLD BY THE METRE</p>
WHITE SCS 1745		17.3mm	100 METRE COIL	 <p>SOLD BY THE METRE</p>

Caravan and Motorhome Door Seals & Trims

Usually manufactured with a solid rubber foot and soft /sponge sealing bulb, these sections fit into a channel in the edge of the frame and compress to make a watertight seal when the door is closed. Our range of habitation door seals allows you to purchase an identical replacement of your existing section. As most caravan and motorhome seals are unique in shape, the correct replacement section can be identified by comparing the end of your existing seal against the drawings in our extensive range.

We also supply a number of trims that push into the edge of the door and come into contact with the seal when the door is closed. These act as secondary seals and are commonly used to provide an additional barrier against water ingress and heat loss.

DOOR SEALS

ORDER CODE	DRAWING	COIL LENGTH
OWS 780		<p>TO FIT 5MM WIDE X 1.5MM KEYWAY</p> <p>50 METRE COIL</p>  <p>SOLD BY THE METRE</p>
OWS 781		<p>TO FIT 7MM WIDE X 2MM KEYWAY</p> <p>30 METRE COIL</p>  <p>SOLD BY THE METRE</p>
CS 904		<p>DOOR SEAL</p> <p>25 METRE COIL</p>  <p>SOLD BY THE METRE</p>

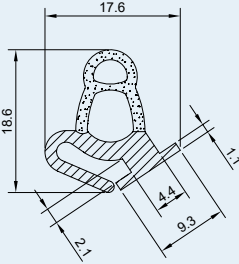
Caravan and Motorhome Door Seals & Trims

ORDER CODE

DRAWING

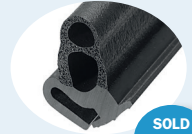
COIL LENGTH

CS 1134



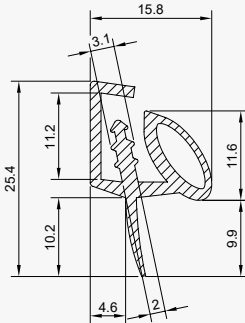
DOOR SEAL

23 METRE COIL



SOLD BY THE METRE

CS 1105



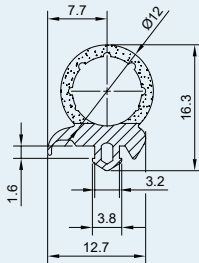
DOOR SEAL

30 METRE COIL



SOLD BY THE METRE

CS 3899



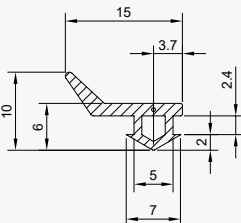
DOOR SEAL

50 METRE COIL



SOLD BY THE METRE

CS 3680



TO FIT 5MM WIDE SLOT

250 METRE COIL



SOLD BY THE METRE

Caravan and Motorhome Door Seals & Trims

DOOR TRIMS

ORDER CODE	DRAWING	COIL LENGTH
CS 925		DOOR TRIM
BLACK CS 928		DOOR TRIM
GREY CS 929		
CS 3873		DOOR TRIM

100 METRE COIL

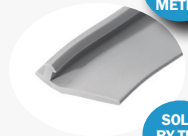


SOLD BY THE METRE

30 METRE COIL



SOLD BY THE METRE



SOLD BY THE METRE

50 METRE COIL



SOLD BY THE METRE

Caravan and Motorhome Seals Miscellaneous

As well as our standard caravan and motorhome window and door seals, we offer a large range of seals and trims for other parts of your caravan or motorhome. These include battery box seals, rooflight seals, awning seals, gutter seals and sink seals. All our seals are manufactured from high quality PVC, silicone or EPDM and will provide you with a long lasting watertight solution.

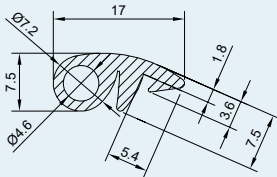
BATTERY BOX / LOCKER SEALS

ORDER CODE

DRAWING

COIL LENGTH

CS 909



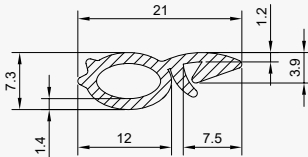
BATTERY BOX SEAL

30 METRE COIL



SOLD BY THE METRE

CS 2462



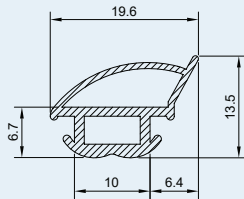
BATTERY BOX SEAL

30 METRE COIL



SOLD BY THE METRE

CS 5239



LOCKER SEAL

25 METRE COIL



SOLD BY THE METRE

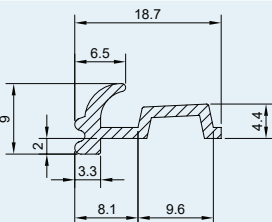
GUTTER TRIMS

ORDER CODE

DRAWING

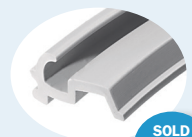
COIL LENGTH

CS 1684



BAILEY GUTTER TRIM (LIGHT GREY)

50 METRE COIL



SOLD BY THE METRE

Caravan and Motorhome Seals Miscellaneous

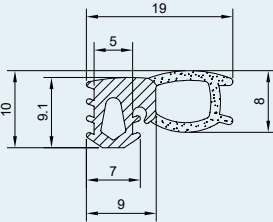
WINDOW SEALS

ORDER CODE

DRAWING

COIL LENGTH

CS 4338



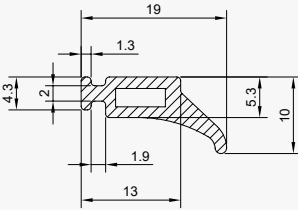
**POLYVISION
WINDOW SEAL**

**100 METRE
COIL**



**SOLD
BY THE
METRE**

OWS 1033



**TO FIT
4.5MM WIDE X
1.5MM KEYWAY**

**30 METRE
COIL**



**SOLD
BY THE
METRE**

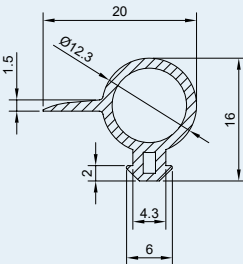
ROOFLIGHT SEALS

ORDER CODE

DRAWING

COIL LENGTH

CS 3176



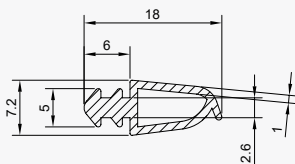
**REMI ROOFLIGHT
SEAL**

**30 METRE
COIL**



**SOLD
BY THE
METRE**

CS 1146



**ROOFLIGHT
SEAL**

**50 METRE
COIL**



**SOLD
BY THE
METRE**

Caravan and Motorhome Seals Miscellaneous

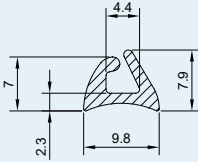
AWNING RAIL TRIMS

ORDER CODE

DRAWING

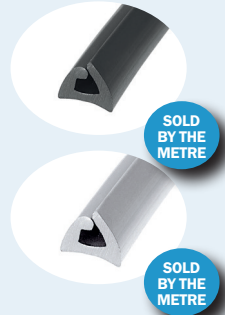
COIL LENGTH

BLACK
CS 924
GREY
CS 4295

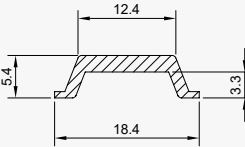


AWNING RAIL SEAL

100 METRE COIL



CS 1244



BAILEY AWNING RAIL INSERT (GREY)

50 METRE COIL



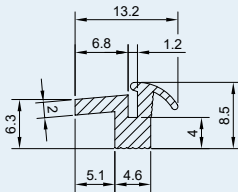
CARAVAN SINK SEALS

ORDER CODE

DRAWING

COIL LENGTH

CSS 4037

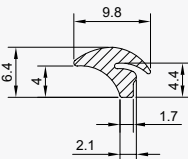


SWIFT CARAVAN SINK SEAL

25 METRE COIL



CSS 4038



SINK SEAL

25 METRE COIL



Caravan and Motorhome Seals Miscellaneous

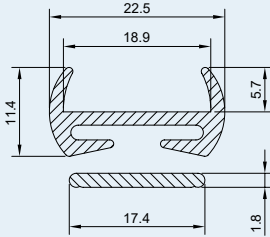
INTERNAL / EXTERNAL TRIMS

ORDER CODE

DRAWING

COIL LENGTH

CS 926



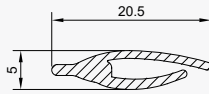
**DOOR APERTURE
CHANNEL WITH
INSERT (BEIGE)**

50 METRE
COIL



SOLD
BY THE
METRE

CS 927



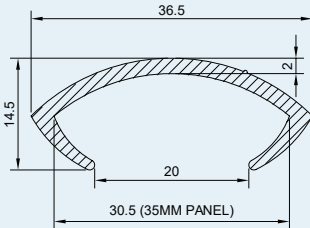
**INNER SIDE &
ROOF JOINT TRIM
(CREAM)**

30 METRE
COIL



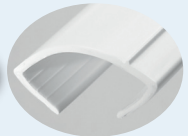
SOLD
BY THE
METRE

CS 930

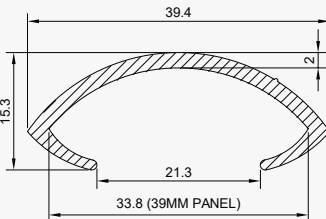


**STATIC CARAVAN
INTERNAL WINDOW
& DOOR CAPPING**

10 METRE
COIL



CS 931



**STATIC CARAVAN
INTERNAL WINDOW
& DOOR CAPPING**

10 METRE
COIL



Caravan and Motorhome Seals Miscellaneous

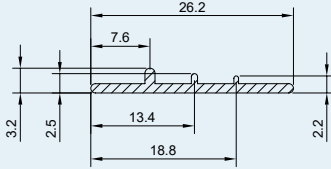
INTERNAL / EXTERNAL TRIMS

ORDER CODE

DRAWING

COIL LENGTH

CS 1420



RIBBED WAIST SECTION

50 METRE COIL



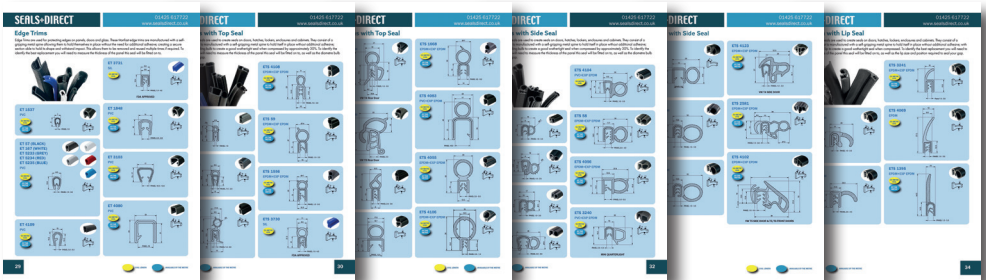
SOLD BY THE METRE

Edge Trims and Seals

Self-gripping edge trims are commonly used on caravans and motorhomes to protect edges and provide a watertight seal. Edge trims are manufactured with a self-gripping metal reinforced spine that allows the section to hold itself in place without the need for additional adhesive.

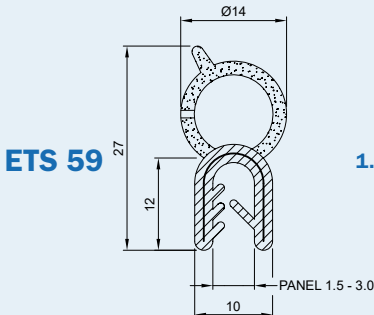
They are regularly found on lockers and doors to prevent water ingress and keep your vehicle warm and comfortable. As most caravans and motorhomes use edge trims for a sealing function, they are usually purchased with a sponge sealing bulb/lip situated on either the top or side of the clip. To identify the best replacement, you will need to measure the thickness of the panel that the seal will be clipped over, as well as the diameter of the sealing bulb on your existing seal.

WE HAVE COMPILED THE EDGE TRIMS MORE COMMONLY USED ON CARAVANS & MOTORHOMES. FOR THE FULL RANGE PLEASE SEE OUR CATALOGUE OR WEBSITE



EDGE TRIMS WITH TOP SEAL

ORDER CODE DRAWING PANEL THICKNESS BULB COIL LENGTH



1.5mm - 3mm

Ø14mm

50 METRE COIL



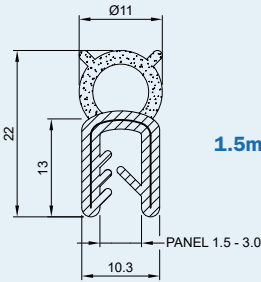
SOLD BY THE METRE

Edge Trims and Seals

EDGE TRIMS WITH TOP SEAL

ORDER CODE DRAWING PANEL THICKNESS BULB COIL LENGTH

ETS 1556



1.5mm - 3mm

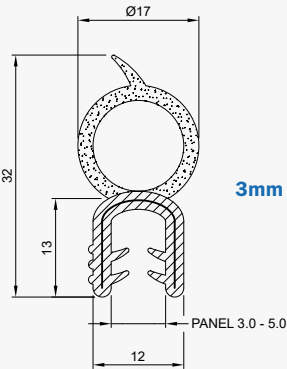
Ø11mm

50 METRE COIL



SOLD BY THE METRE

ETS 1668



3mm - 5mm

Ø17mm

50 METRE COIL

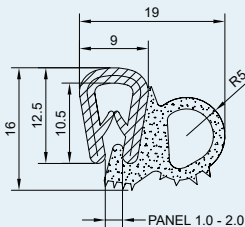


SOLD BY THE METRE

EDGE TRIMS WITH SIDE SEAL

ORDER CODE DRAWING PANEL THICKNESS BULB COIL LENGTH

ETS 4105



1mm - 2mm

10mm

50 METRE COIL



SOLD BY THE METRE

Edge Trims and Seals

EDGE TRIMS WITH SIDE SEAL

ORDER CODE

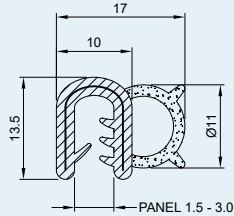
DRAWING

PANEL THICKNESS

BULB

COIL LENGTH

ETS 2481



1.5mm -
3mm

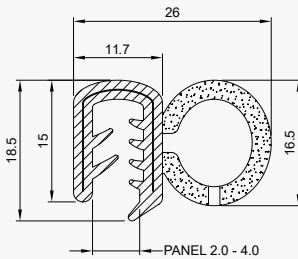
Ø11mm

50 METRE
COIL



SOLD
BY THE
METRE

ETS 58



2mm -
4mm

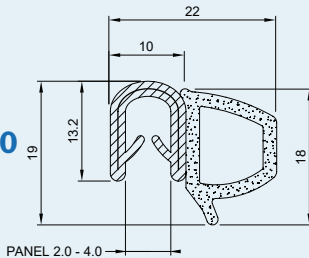
Ø16.5mm

50 METRE
COIL



SOLD
BY THE
METRE

ETS 3240



2mm -
4mm

18mm

50 METRE
COIL



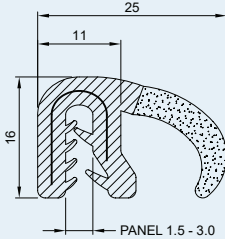
SOLD
BY THE
METRE

Edge Trims and Seals

EDGE TRIMS WITH LIP SEAL

ORDER CODE DRAWING PANEL THICKNESS LIP SIZE COIL LENGTH

ETS 60



1.5mm -
3mm

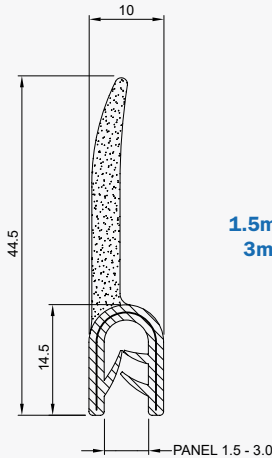
14mm

50 METRE
COIL



SOLD
BY THE
METRE

ETS 1395



1.5mm -
3mm

30mm

30 METRE
COIL



SOLD
BY THE
METRE

Please see our catalogue or website for
our full range of seals and trims



SEALS+DIRECT

Seals+Direct Ltd

Unit 6, Milton Business Centre

Wick Drive, New Milton

Hampshire, BH25 6RH, UK

Telephone: +44 (0)1425 617722

Email: sales@sealsplusdirect.co.uk

Website: www.sealsdirect.co.uk